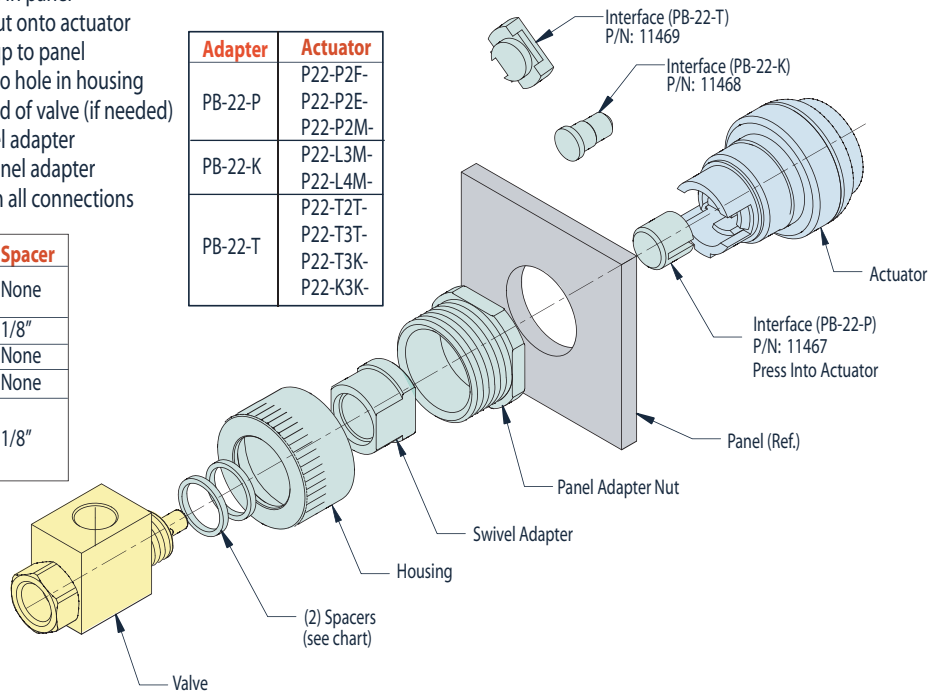


PB-22-x Adapter Installation

1. Remove plastic locking nut from actuator (not used)
2. Press interface into actuator
3. Insert actuator into hole in panel
4. Thread panel adapter nut onto actuator
5. Align actuator, tighten up to panel
6. Insert swivel adapter into hole in housing
7. Slide spacers onto thread of valve (if needed)
8. Thread valve onto swivel adapter
9. Thread housing onto panel adapter
10. Align as needed, tighten all connections

Valve	Spacer
MAV-2, -2P, -2R, -3R, 3, -3P MAVO-2, -3	None
MJV-2, -3, MJVO-2, -3	1/8"
MAV-4, -4D, MJV-4, -4D	None
ES-1	None
FV-3, -3P, -3D, -3DP FV-4, -4P, -4D, -4DP FV-5, -5P, -5D, -5DP	1/8"

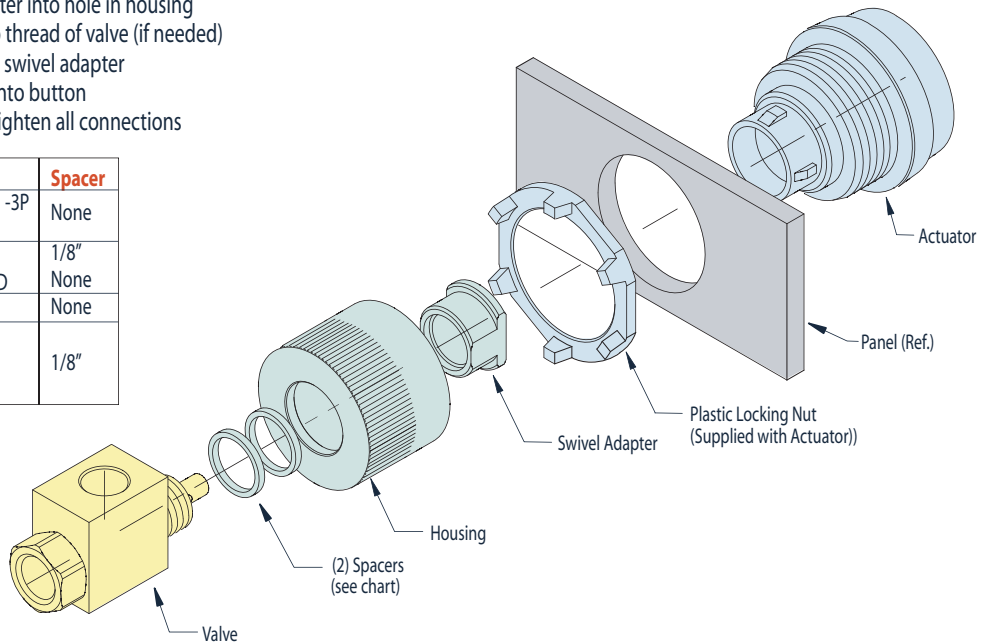
Adapter	Actuator
PB-22-P	P22-P2F- P22-P2E- P22-P2M-
PB-22-K	P22-L3M- P22-L4M-
PB-22-T	P22-T2T- P22-T3T- P22-T3K- P22-K3K-



1. Insert actuator into hole in panel
2. Thread panel locking nut onto actuator
3. Align actuator, tighten up to panel
4. Insert swivel adapter into hole in housing
5. Slide spacers onto thread of valve (if needed)
6. Thread valve onto swivel adapter
7. Thread housing onto button
8. Align as needed, tighten all connections

Valve	Spacer
MAV-2, -2P, -2R, -3R, 3, -3P MAVO-2, -3	None
MJV-2, -3, MJVO-2, -3	1/8"
MAV-4, -4D, MJV-4, -4D	None
ES-1	None
FV-3, -3P, -3D, -3DP FV-4, -4P, -4D, -4DP FV-5, -5P, -5D, -5DP	1/8"

PB-30 Adapter Installation



Clippard Instrument Laboratory, Inc.

www.clippard.com • 1-877-245-6247